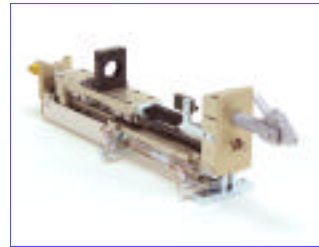


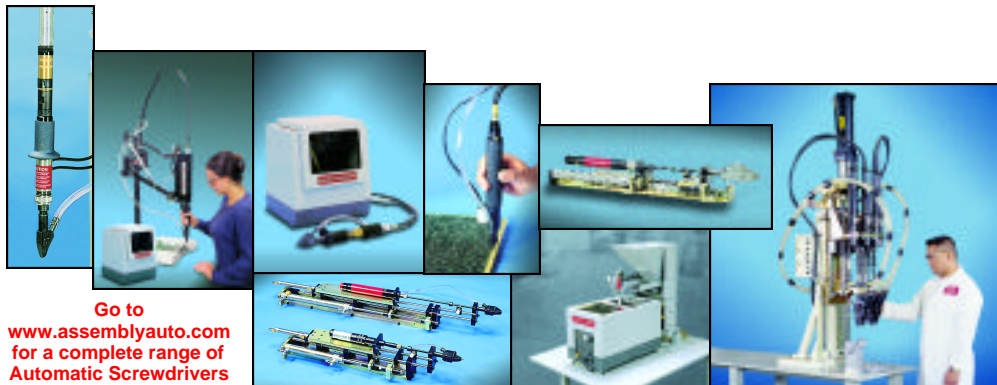
# ASSEMBLY AUTOMATION®

## SS-4 Self-Feed Screwdriver

Compact, light weight  
Screwdriver for Robotic Applications



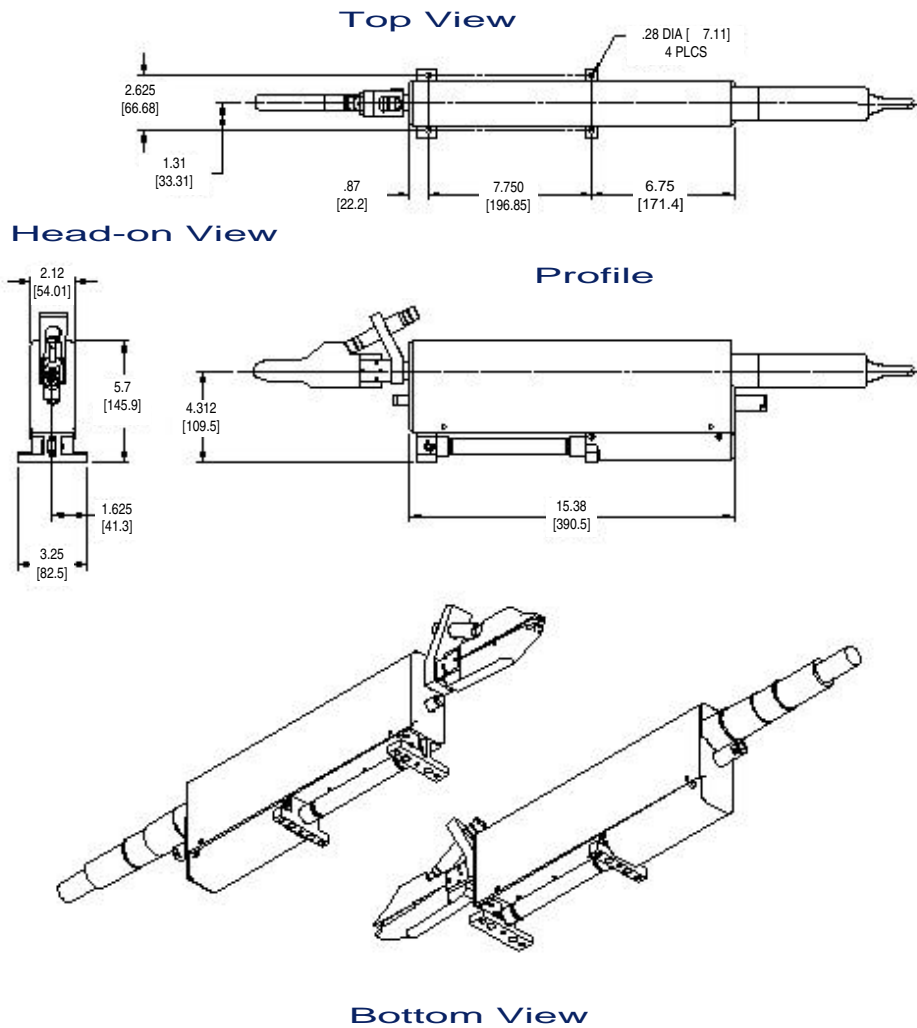
- 100 mm stroke ▪ 20 Nm torque capacity ▪ Weight: 6 kg including tool
- 60 cm overall length ▪ Operates in any position, including inverted
- Mounting brackets available for most D.C. and pneumatic tools, including Techmotive, Atlas Copco and Cooper
- Easily removable cover for quick change tooling and bit changes
  - Compression spindle available for light torque delicate joints
  - Built-in rear limit and screw depth check sensors



Go to  
[www.assemblyauto.com](http://www.assemblyauto.com)  
for a complete range of  
Automatic Screwdrivers

# ASSEMBLY AUTOMATION®

## SS-4 Self-Feed Screwdriver



1849 Business Center Dr. Duarte, CA 91010 USA  
Ph: 626.303.2777 Fx: 626.303.8874  
email: [info@assemblyauto.com](mailto:info@assemblyauto.com) Website: [www.assemblyauto.com](http://www.assemblyauto.com)