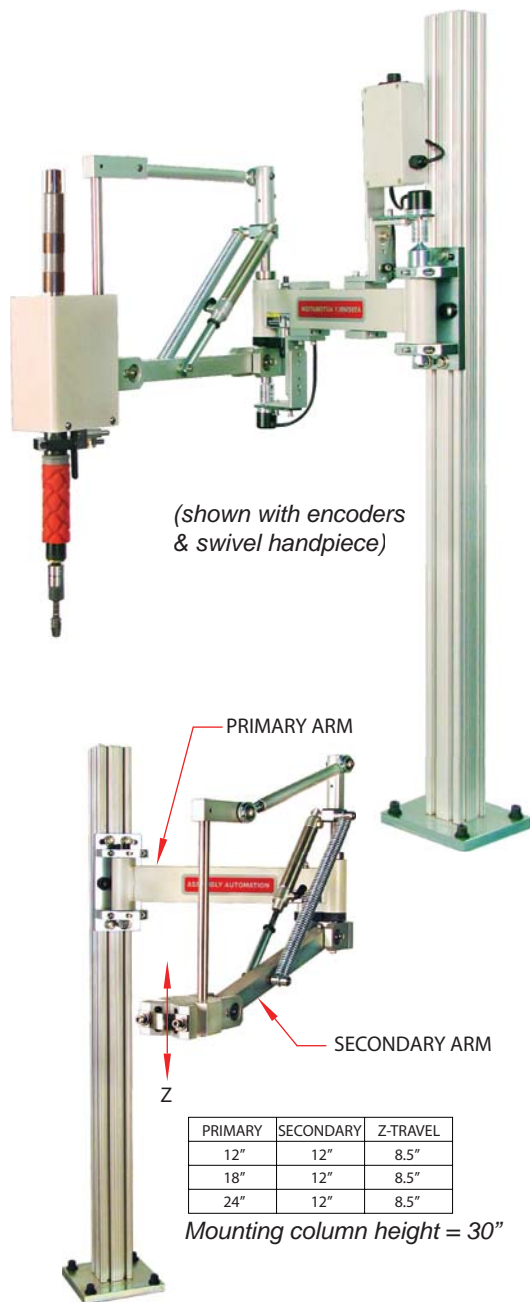


ASSEMBLY AUTOMATION®

TR-1

Precision Tool Support



FEATURES:

- ▶ Built for high cycle use with ball bearing joints & rigid support column
- ▶ The TR-1 features high torque capacity (40 Nm) with tool adaptors for most tool brands
- ▶ Optional encoders provide positional information for sequential fastening & changing tool strategies
- ▶ A spring loaded cable support is also included together with an output cable for the two (2) encoders
- ▶ Encoders may be used on an existing PLC controller at the station. (Optional controller available)
- ▶ The swivel handpiece & remote start trigger provide a comfortable and ergonomic workstation
- ▶ A combination spring & air cylinder support system handles tools up to 5 lbs. (2.3kg) with controlled "down assist" for self-tapping & similar applications
- ▶ The TR series may be supplied with screw sensors & blow feed system for a complete "smart" workstation

For more information & additional data, please email: info@assemblyauto.com

6 2 6 - 3 0 3 - 2 7 7 7

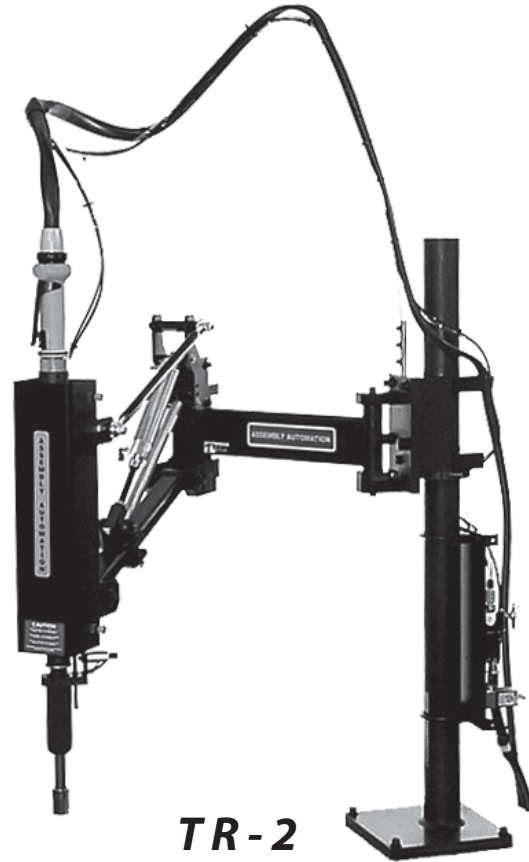
www.assemblyauto.com

1 8 4 9 B u s i n e s s C e n t e r D r . D u a r t e , C A 9 1 0 1 0

“TR” Series Torque Arms



Basic TR-1



TR-2

<i>Maximum Recommended Specifications</i>			
<i>#</i>	<i>Model</i>	<i>Max Tool Weight</i>	<i>Max Torque</i>
1	TR-1	5 lbs. (2.3 Kg)	354 In-lb (40 NM)
2	TR-1HD	5 lbs. (2.3 Kg)	620 In-lb (70 NM)
3	TR-2	10 lbs. (4.5 Kg)	1328 In-lb (150 NM)

Features and Benefits:

- ▶ Rigid construction.
- ▶ Sealed bearings at each joint for smooth action and minimum deflection.
- ▶ Air cylinder/spring suspension for a zero gravity feel.
- ▶ Adjustments in each plane to ensure perpendicularity to the work surface.
- ▶ Optional swivel hand piece to keep the operator’s wrist straight.
- ▶ Optional remote start trigger for lever operated tools to keep the operator’s hand close to the process.
- ▶ Optional down-assist feature. Great for thread forming fasteners and maintaining positive bit engagement.
- ▶ Optional encoders provide X-Y positioning for “Smart Workstations”.